



SUSPENSION OF EQUIPMENT IN MOBILE APPLICATIONS

Natural frequency : (1)
16 to 22 Hz

DESCRIPTION

This mount has rubber moulded around a metal centre axis.
The elastomer is shaped so that the mount can be pressed into the mounting structure.

OPERATION

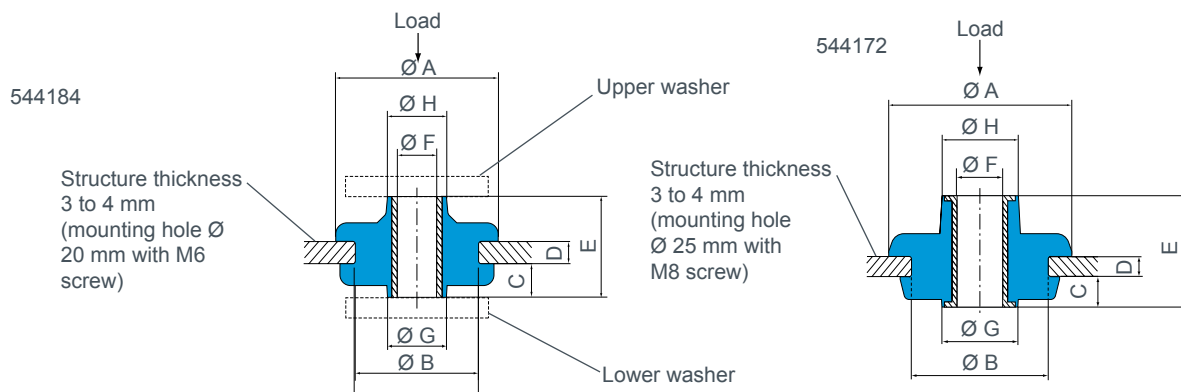
The mount combines the advantages of low natural frequency and easy installation.
The simple design means the part can be assembled using a single bolt or screw fixing.

APPLICATIONS

- Anti-vibration mounts suitable for mobile equipment mounted in light and heavy vehicles, construction equipment (hydraulic pumps, acoustic panels, control boxes, air conditioning sets, compressors,...).
- Isolation of light weight equipment in static environments.

CHARACTERISTICS

Natural frequency :
Axial and radial : 16 to 22 Hz.
Fail safe assembly possible with washers fitted above and below the mount.
(dim $\varnothing 6,2 \times \varnothing 30$, thickness 1,5)



Reference	Ø A (mm)	Ø B (mm)	C (mm)	D (mm)	E (mm)	Ø F (mm)	Ø G (mm)	Ø H (mm)
544184	29	22	6	4	18	6,2	10,5	10,5
544172	36	27	6	4	22	9	15	15

See current price list for availability of items.

Reference	Load range (daN)	Temperature range
544184 - 11	2 - 3	-30 to +80°C
544184 - 16	2,5 - 3,5	-30 to +60°C
544172 - 11	2 - 3	-30 to +60°C

1) the indicated natural frequency, are valid for the maxi loads of the ranges of use quoted in the paragraph : TECHNICAL CHARACTERISTICS.

